

Austin 7 Club of S.A. Inc.

CLUBROOMS:
262 Tapleys Hill Road, SEATON S.A. 5023

Bulletin Number 149

10.3.23



What's on and What's not.

12.3.22 Moonta Show and Shine

13.3.23 A7C General Meeting 7.30 Start BBQ before the meeting.

18.3.23 A7C Quiz Night at clubrooms.

19.3.23 VSCC Historic Gathering at Edwards Park.

19.3.23 Woodside Swap Meet

21.3.23 A7C Leisure Run to The Barker Hotel at Mt. Barker

24-26.3.23 Adelaide Motorsport festival

27.3.23 A7C Technical Night at Paint Supplies SA

30.3.23 -2.4.23 Australian F1 Grand Prix Melbourne

2.4.23 Vehicles and Old Machinery at the Flat

3.4.23 A7C Committee Meeting

7.4-10.4 Easter

16.4.23 A7C Club Day Run to St Kilda Tram Museum

16.4.23 TTM Regularity #2

17.4.23 A7C Monthly Club Meeting at 7.30pm.

18.4.23 A7C Leisure Run

23.4.23 McLaren Vale Vintage & Classic

24.4.23 A7C Technical Night

25.4.23 Anzac Day

6.5.23-8.5.23 A7C PreWar Run Adelaide Hills

7.5.23 British Classics Tour

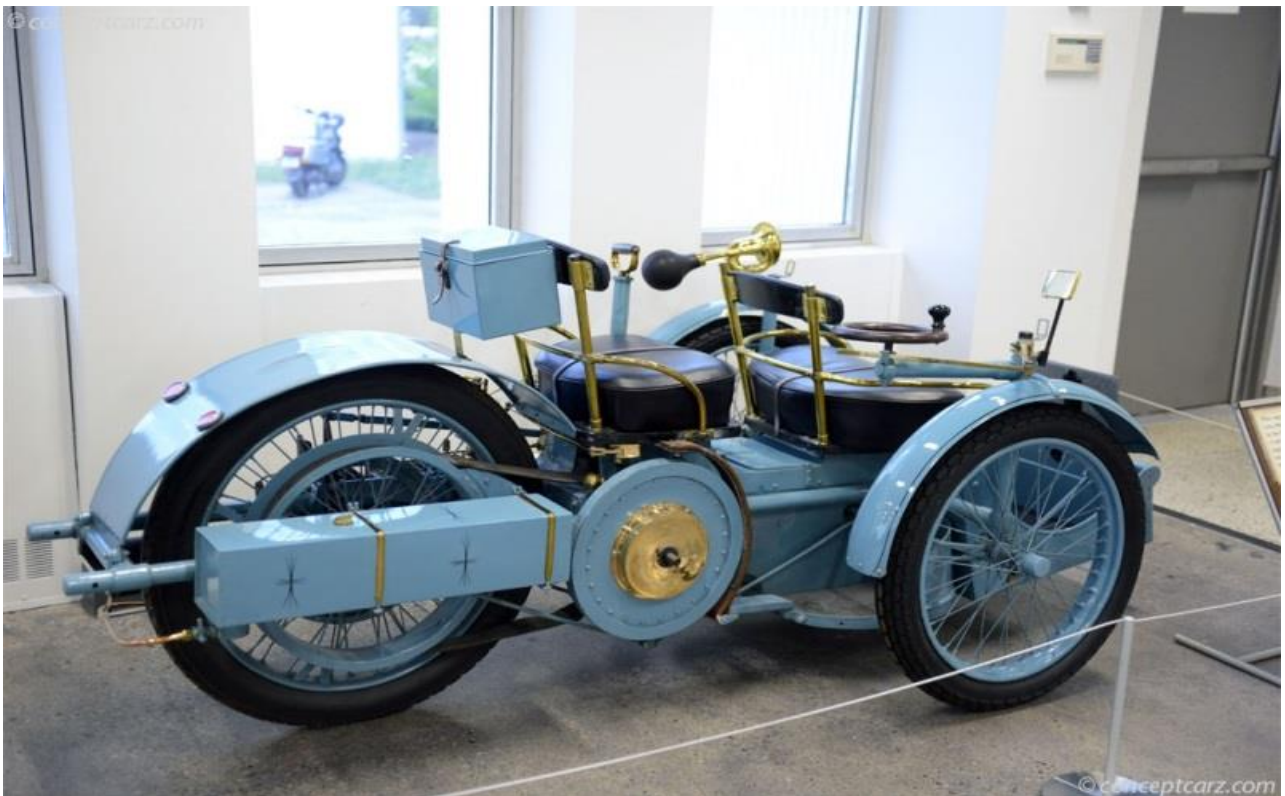
17.6-23.6.23 A7C 70th Anniversary tour to Farina

Please check with the organisers as dates and events may be subject to change.

Page 3 Girl



Sillier than a Seven



Sports and Specials



Dennis, Janet and 16 foot canoe 1966 (Olards Grove Loughton)





2023 Dates

Our competition dates for 2023 are as follows.

Apr 16, June 4, July 23, Aug 27, Nov 5

All at Mallala





shutterstock.com · 1157118133

18th March 2023

6.30 for 7.00pm

Tables of 6

At the clubrooms 262 Tapleys Hill Rd Seaton

The Humber Club has been invited.

Battle of the British car giants

Book your table with

Brenton Spangler 0410 471 078



Historic Motor Vehicle Gathering

19th March 2023

10.30am -2.30pm

More than 200 veteran and vintage and classic cars, trucks and motorcycles will converge on the Adelaide Parklands for a public display on the 19th March 2023

Organised by The Vintage Sports Car Club of South Australia, the annual Historic Motor Vehicle gathering is primarily for vehicles built before 1931, with post '30 (classic) vehicles displayed separately. On display will be everything from spindly, single-cylinder cars and bikes well over 100 years old, capable of just 40kph, to large eight-cylinder luxury vehicles from the height of the "Roaring Twenties" more than capable of mixing it with modern traffic.

The vehicles will be displayed in Edwards Park (Park 23) on the western side of Anzac Highway, between the Keswick Bridge and West Terrace from 10:30am to 2:30pm.

There is *no entry form or admission charge* for entrants or spectators, and *free car & trailer parking* is available on the same grounds.

Enter off Anzac Highway.

There will be on-site catering.

Austin 7 Club members to meet at Villi's Bakery Mile End for Coffee at 10am.



**PATRON
JOHN BOWE AM**

AN
EVENT
NOT TO BE
MISSED!



ROB ROY REVIVAL

18 & 19 MARCH 2023



A tribute to Gannie Cooper's Elfin cars with 10 Elfin cars competing.

FESTIVAL OF HISTORIC MOTOR SPORT

Australia's most authentic historic motor race meeting, staged entirely to a 1950s & 60s theme.
General Enquiries Event Director - Rod Cooper P: 0409138899 E: rodcooper@westnet.com.au

For more information visit robroyrevival.mgcc.com.au

PROUDLY PRESENTED BY THE MG CAR CLUB VICTORIA

Leisure Run 21st March 2023



THE BARKER HOTEL

Built around 1840 and originally named the Scotch Thistle, this modernised and elegant hotel has retained many of its heritage features including much of the original stonework. Located just 15 minutes up the freeway in the heart of Mount Barker

in the Adelaide Hills, The Barker Hotel maintains a warm and welcoming environment from the moment you step inside.

Please meet at Lobethal Bakery at Woodside from about 10.15am because we leave at 11.15 for lunch at The Barker in Mt Barker. Only 20 seats have been able to be booked at The Barker as the hotel has other bookings, but if we arrive at 11.45 and are seated by 12noon we'll have our orders taken before the other parties arrive. Our spot is not in the main bistro area but between the second and third doorway coming in from the rear car park.

Bookings with David Searles

dsearles10@bigpond.com



27th March 2023

Austin 7 Club of S.A. Technical Night

**Will be held at Paint Supplies Corner of West Lakes
Blvd &, Philips Cres, Hendon**

Note early start 6 p.m.

**Gary and his team will show us their product range
and be there to answer our questions.**



All members and friends are welcome to attend.

VEHICLES & OLD MACHINERY AT THE FLAT

SUNDAY 2nd APRIL 2023

10:00 am to 3:00 pm

McLaren Flat Recreation Grounds

**Classic & Historic Cars,
Motorcycles, Trucks, Tractors &
Stationary Engines.**



Catering
Popcorn
Coffee Van
Licenced
Bar Raffles



Public Entry by Gold Coin Donation

Enquiries

Rod Watson 0409 778 640

Allan Wheaton 0408 899 775

pop@ahmrc.org



Hosted by: McLaren Flat Community Club & the Adelaide Hills Motor Restorers Club

Austin 7 Club of SA Inc
Tram Museum Run
Sunday 16th April 2023



Start the day at ***Café de Vili's***, 426 Main North Road, Blair Athol **from 10:00am**

At 11:15 we'll head up the Port Wakefield Road at a leisurely pace to the St Kilda Beach Hotel for lunch. (20km)



Then back to the Tram Museum. All our members will get into the Museum at the discounted price of \$7.00. Photo opportunities of our historic cars with the trams (including the “Toast Rack” tram pictured above) will be available to us.

Bookings are essential.

Please book in with Christine Cutting (0412 092 760) or Martin Lewis (0414 727 893).

Bookings close Monday 10th April



Birdwood Drive 'n' Jive

BOOK NOW

ABOUT

Whether you are the owner of a Classic Drive, a Rock n' Roll enthusiast or just love to be surrounded by chrome, 50s to 80s live music and everything in between you are welcome to attend the inaugural BFNC Drive 'n' Jive.

Held at the Birdwood Oval - Classic Cars, live music, a huge dance floor, food and stall vendors and local beer and wines suppliers will keep you entertained for the day. Gates open at 9am. First band on stage at 10:30am.

Owners of a vehicles made between 1950 and 1989 are welcome to enter as a 'Classic Entrant'. Your \$30 admission fee includes entry for all legally seated occupants and parking for display on the oval. Make sure your vehicle is polished and ready to be admired.

General Admission \$20 per person.

Children Under 15 Years FREE, a ticket must be shown at the gate.

DATE

Sunday 23 April 2023 9:00 AM - 4:30 PM (UTC+10:30)

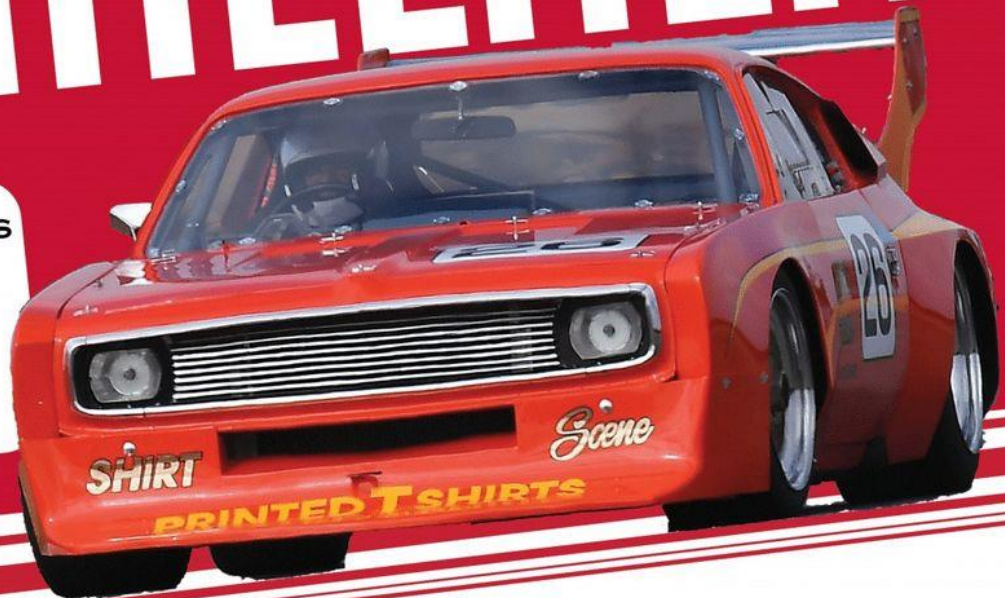
LOCATION

Birdwood Oval & Park



ALL HISTORIC MALLALA

RACE CATEGORIES
SUPERSPRINT
REGULARITY
SHOW & SHINE
CLASSIC CAR
DISPLAY



APRIL 22nd & 23rd 2023

MALLALA MOTORSPORT PARK

WWW.SPORTINGCARCLUB.COM.AU | +61 08 8271 5689



Entries for the 2023 McLaren Vale Vintage & Classic are now open.

The committee is already working to make this event better than ever on Sunday 23rd April.

A new system for placing your entry has been put in place through Trybooking.com with the entry fee of \$35 per vehicle and payment being made using credit card or Paypal.

Please read the attached Conditions of Entry before placing your entry online.

Enter using this link <https://www.trybooking.com/CEHMP>

Once you have submitted the completed entry form a confirmation email will be sent from Trybooking. It is not necessary to print this entry ticket but it will be useful to keep it as a reminder that you have entered.



PRE-WAR RUN – AUSTIN 7 RUN SA MAY 6-8, 2023

Preliminary plans are underway to have a weekend Austin 7 run up to the Adelaide hills on May 6th - 8th 2023.

The Itinerary could end up something like the following.

- Meet at Hazelwood Park and travel up Greenhill Rd ready for a 9.00am departure travelling up Greenhill Road then turning right onto Mount Lofty Summit road proceeding to Mawson Drive on your left and make your way to Mount Lofty Botanical Garden where we will have a walk through part of the garden.
- On departing the garden, I suggest we follow the leader and return back to Crafers perhaps driving around the historic Mount Lofty House car park on the way. Once back at the Crafers roundabout take the first exit on the left and proceed to the SE freeway briefly before taking the Stirling exit and slowly making our way to Aldgate where we have a number of options for lunch including Fred's Eatery, Dirty Doris's or possibly the Aldgate Pump Hotel.
- After lunch we will make our way to Hahndorf and check in to our accommodation for the next two nights (The Old Mill). After this participants are encouraged to explore Hahndorf until pre dinner drinks prior to an evening meal at a venue yet to be determined.
- Sunday morning breakfast will be of your choosing with a number of establishments offering traditional German style breakfasts. Following breakfast, a 9.30am departure will see us heading for Woodside with a visit to the Chocolate factory before heading up to Lobethal for lunch (possibly at Lobethal Bierhaus). After lunch we will take a different route back to Hahndorf where we will have our evening meal.
- Monday will see us depart Hahndorf and head for home.

**EXPRESSION OF INTEREST TO
ANDREW DAWES FOR ACCOMODATION
0427 751 488 dawes@internode.on.net**

46th

HISTORIC WINTON

27th and 28th May 2023



www.historicwinton.org

Winton Motor raceway, Benalla, Victoria



Austin Seven Club Inc. A0003290N | Photos - C.Rosewarne and SDpics

70th Anniversary Austin 7 Club Run to Marree via Farina Bakery and other eateries.

17 to 23 June 2023 – overview of event.

Day 1 Saturday 17 June: Adelaide to Burra 160 km

OVERNIGHT AT: Paxton Cottages. Ph. 0488 513 101

Day 2 Sunday 18 June Burra to Blinman 350 km

Lunch at Cradock Hotel Ph. 08 8648 4107

Stopping to view the Flinders at Hucks Lookout

OVERNIGHT AT Blinman Hotel Ph. 08 8648 4867

Day 3 Monday 19 June Blinman to Marree 214 km

travelling the 32 Km through the picturesque Parachilna Gorge (this is unsealed but very do-able (and really highlights the beauty of the Flinders) in our cars).

Lunch at Farina Bakery where they will be expecting us.

Next two nights at Marree Hotel Ph.08 8675 8344

Day 4 Tuesday 20 June At Marree, “a day of touring and looking around”. If people feel inclined, they could also do a flight over Lake Eyre as the Marree Hotel has aircraft doing joy flights (this would need to be booked well in advance).

Scenic air flights: <https://aridair.com.au/marree/>

Total distance to Marree 720 km.

Return journey

Day 5 Wednesday 21 June Marree to Hawker via Farina for morning tea or to pick up more fresh bread or visit Talc Alf (outback Art Gallery) at Lyndhurst.

Lunch at the Prairie Hotel at Parachilna.

In Hawker, Jeff Morgan (Tony's Brother) has a fantastic Art Gallery and has offered to cook a sausage sizzle for us so this could be our tea.

OVERNIGHT AT Hawker Hotel. Ph 08 8648 4102

270 km

Day 6 Thursday 22 June Breakfast at the Flinders Food Company in Hawker.

To Burra via Quorn, Wilmington, Wirrabara & Stone Hut for lunch. Then Gladstone, Georgetown, Gulnare, Spalding and Burra.

Evening meal at a Burra Pub .

OVERNIGHT AT Paxtons, Burra

280 Km

Day 7 Friday 23 June

Burra to Adelaide 160 km Total Return Journey

710 Kms

If coming on this event, you will need to confirm your accommodation by ringing the following places. If you wish to only come for a couple of days, make your booking accordingly but please let me know of your partial attendance.

Day 1 Saturday 17 June Burra Paxton Cottages 0488 513 101

Also book for Day 6 Thursday 22 June

Day 2 Sunday 18 June ----- Blinman Hotel 08 8648 4867

Day 3 Monday 19 June ----- Marree Hotel 08 8675 8344

Also book for Day 4 Tuesday 20 June

Day 5 Wednesday 21 June ----- Hawker Hotel 08 8648 4102

When you have confirmed your accommodation, please let me know on dsearles10@bigpond.com so that I can monitor progress of numbers coming on this event.

There is no close-off date for this event, if coming please arrange the above accommodation as soon as possible, and if caravanning or bringing a swag please let me know by end of May so that I can include you in any meals (if required) at venues listed.

PS: There will be happy hours scheduled every day!

Thank you

David Searles

Austins over Australia 2024

7th March -11th March 2024



<http://www.amvcnsw.com.au/aoa/Expression%20of%20Interest%20AOA%202024.pdf>



All British Day 5.3.23





Austin 7 Club members doing what they do best.

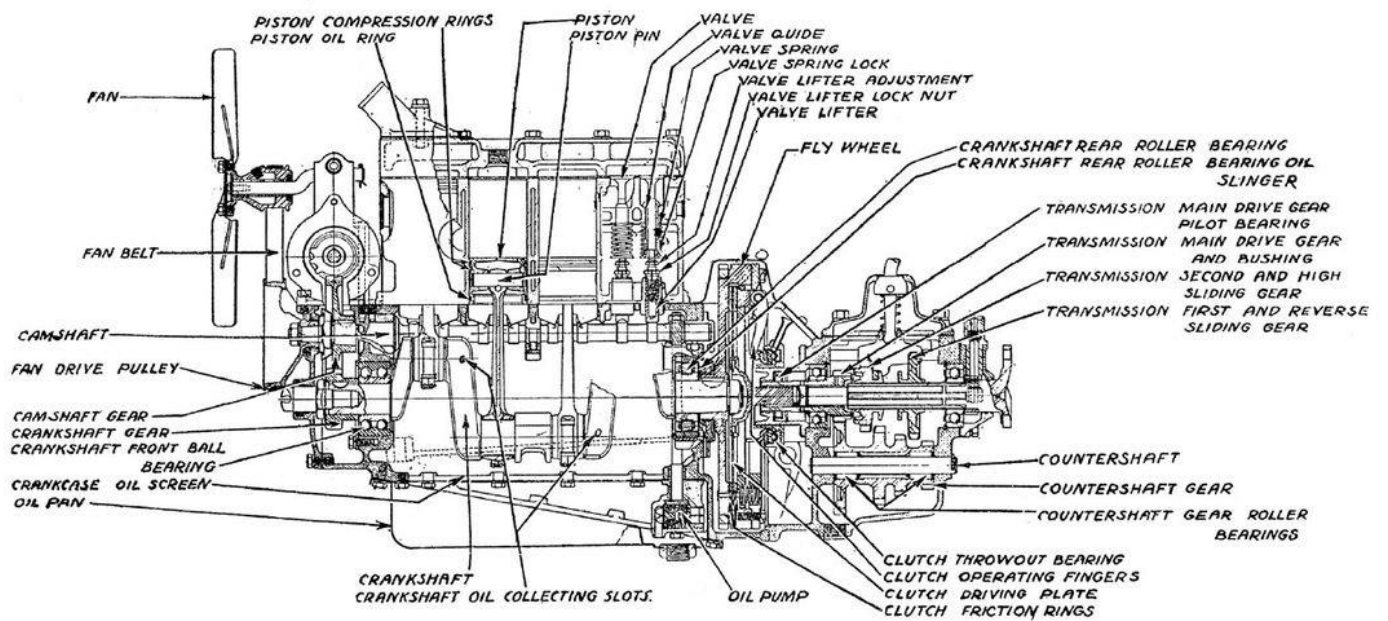
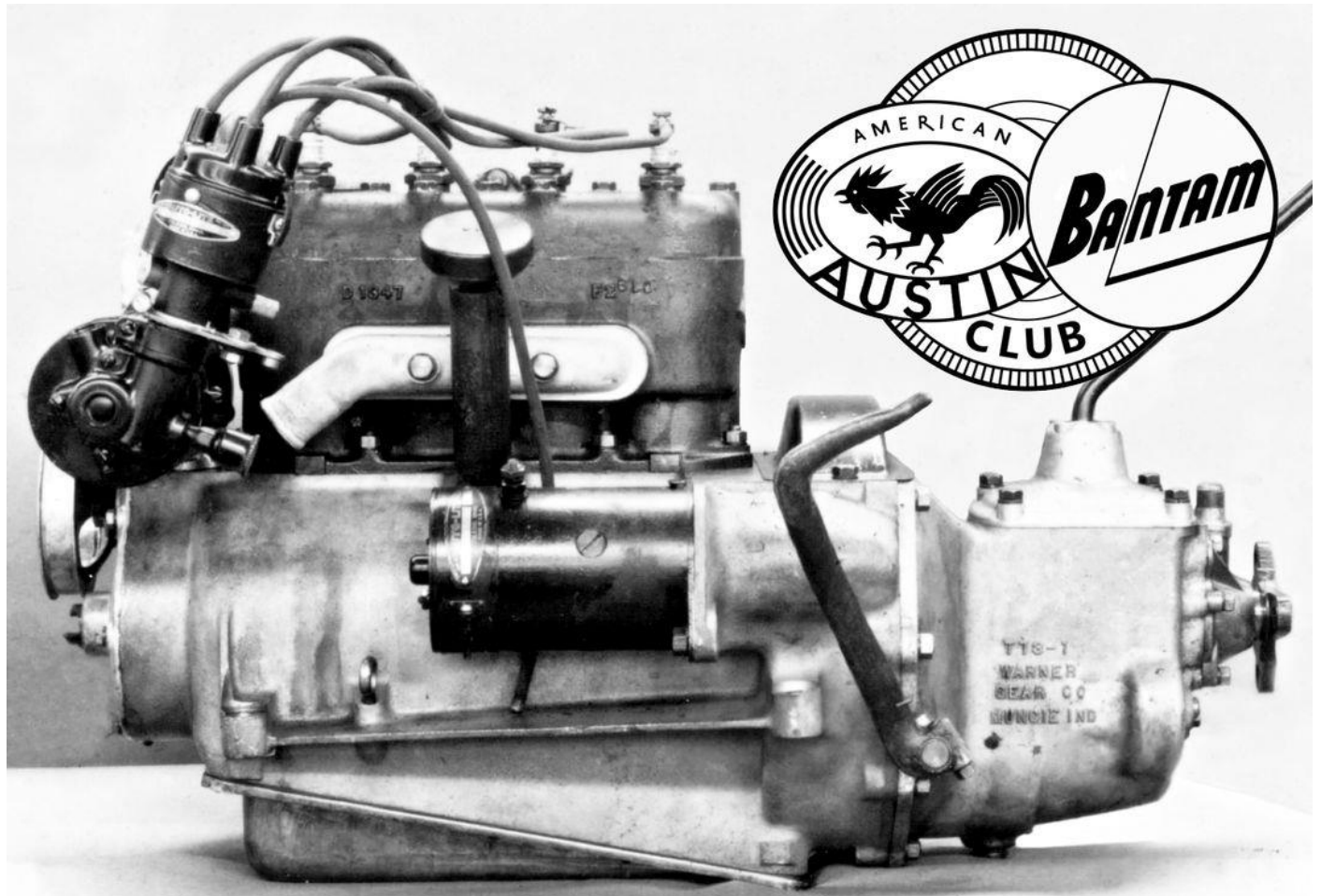




Old Adelaide



Port Adelaide (Black Diamond Corner) 1950
Bottom left of photo is David Searles driving his Austin 10 to Customs House.



Buy, Sell & Exchange

Meet the Masters of MALLALA!



Max Stewart

1971 Gold Star winner

Driving his 2-litre Mildren Waggott, Max won the '71 Australian Gold Star by a point in the deciding event at Mallala.

Henk Woelders

1971 Formula II champion

Driving the Bill Patterson Racing Team's Elfin 600, Henk had a comfortable 8 point win, continuing BP's dominance in Formula II racing.

John McCormack

Winner final Gold Star heat

A BP champion in the making, John led from start to finish in the final Gold Star event in his Elfin MR5 Formula 5000.

Illustrated, left to right: John McCormack, Henk Woelders, Max Stewart.



**BP
brings out
the best**





1937 Austin fourteen - six \$12,500

This very original and affordable pre-war car is driven regularly as a promo car in Aldinga. Branding will be removed when sold.

Includes original owner handbook with hand-typed maintenance notes.

Body is very sound with almost no rust – has evidently been garaged for most of its life. Paint is original and aged. Vinyl wrap was added to make the car less “gangster” and should be able to be removed with a heat gun if needed.

Safety modifications: Tailights, indicators, twin horns and front brakes re-lined. Original features include: * 4-speed manual with synchro on 2,3,4 * Working speedometer and gauges * 12-volt electrical (+ve ground) * Girling mechanical brakes * 1.7 litre straight six, side-valve motor * Steel chassis * Body insulation



Ben Tugwell 0499 050 800

For Sale 1932 Austin 7 Opal \$18,000.



**Contact MPHVC for more info. (Dawn 0414455989)
Victoria**

Friday Funny

