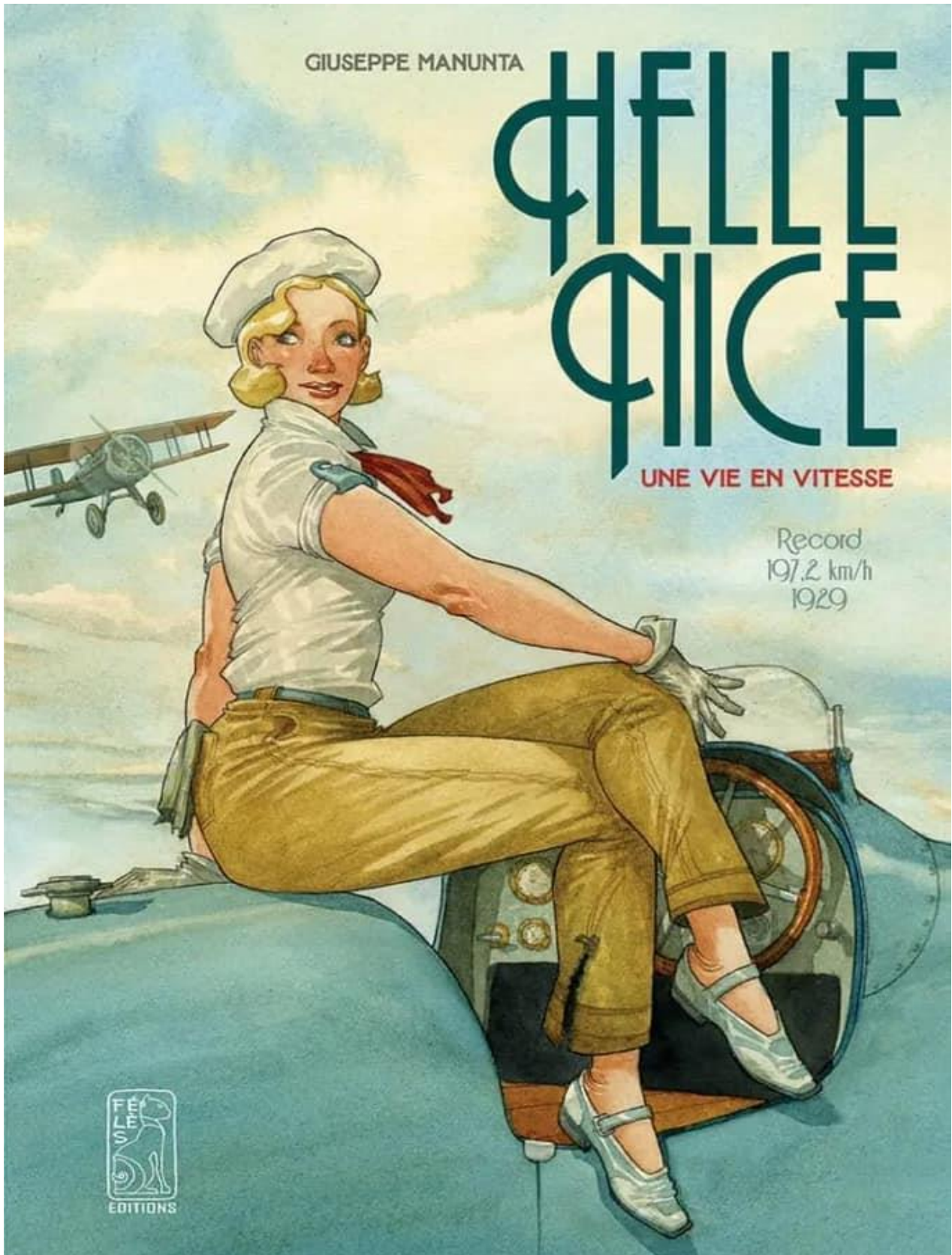


Austin 7 Club of S.A. Inc.

CLUBROOMS:
262 Tapleys Hill Road, SEATON S.A. 5023

Bulletin Number 131

4.11.22



What's on and What's not.

6.11.22 Power of the Past Mt. Barker

12.11.22-13.11.22 Bendigo Swap Meet

CANCELLED

13.11.22 Regency Park Swap Meet

14.11.22 A7C Monthly Meeting

15.11.22 A7C Leisure Run

20.11.22 A7C Day Run

20.11.22 Yankalilla Classic

26.11.22 Subs and Rego Day at Clubrooms

**28.11.22 A7C Technical Night Guest speaker
from Loctite.**

1-4.12.22 Adelaide 500

4.12.22 A7C Subs and Rego Day 10am-1pm

10.12.22 A7C Christmas Dinner

12.12.22 A7C General meeting

Please check with the organisers as dates and events may be subject to change.

Page 3 Girl



Sillier than a Seven





36th



POWER OF THE PAST

5th & 6th November 2022

Mt Barker Showgrounds

Exhibiting Veteran, Vintage & Classic Cars, Trucks and Motorcycles (Historic Registration eligible vehicles).

Heritage Stationary Engines, Machinery

And Tractors

General Displays

Please note, motor vehicles may be entered formally for the two days and be eligible for award judging, or casually entered for either day. Entry forms will be available mid 2022.

For further information Please contact:

Greg Strike 0402 411 609. Brian Kuerschner 0418 854 565. Allan Wheaton 0408 899 775.



Leisure Run Tuesday 15.11.22

Lunch at the Finniss Store

Finniss General Store

3 Railway Terrace, Finniss SA 5255

PH: 08 8536 0116

Contact David Searles for bookings



INVITATION TO AUSTIN 7 OWNERS

FROM THE VINTAGE & VETERAN SECTION OF THE SCC

FRIDAY 18TH NOVEMBER 2022

The Vintage and Veteran Section Sub-Committee of the Sporting Car Club of SA had been planning to have a 100 Years of the Austin 7 Night at their Club Rooms early in 2022. Residual COVID issues meant this was delayed. It is now being held on **Friday, 18th November 2022**. Originally, Peter Lee and Ian Leitch had agreed to bring their respective Austin 7's and display them on Stage. In the interim, effluxion of time and changed circumstances have meant they are no longer available.

Consequently, I am looking for another 2-3 Members to bring their vehicles along and put them on Stage and give a short talk about them. If any Austin 7 Owners would like to answer the call, please let me (**Scott Appleyard 0427 243 879**) know ASAP so suitable arrangements can be made to get them into the Club. If the cars are driveable then that is easy on the night. If trailering, then I can arrange with Club Staff for them to be brought in during the day on the Thursday or the Friday morning and taken out on the Saturday morning if needs be.

Not bringing an Austin 7!... then still come along anyway and enjoy the facilities of the SCC Clubrooms. The Club is licensed so beer, wine and soft drinks are available, and supper (including tea and coffee) will be provided. Any A7 owners and their partners are welcome to attend. The only thing is to **please let me know by 15th November so that we can cater for the extra numbers expected.**

NB -The Club is located at 51 King William Road, Unley and will be open from 7.00pm on the night.



Austin 7 Club of S.A. Breakfast Run

20th November 2022



Depart from Victoria Hotel car park at 8:15am.

Travel to "The Farm Willunga" for breakfast. Bookings, which close on Monday Nov 14, are essential.

If you are planning to join us, please let Martin Lewis know by Nov 14 - 0414 727 893 or martin.lewis1945@aussiebb.com.au.

Mt Mary Show n Shine

**November 20th
sunday**

**live music
free camping
kids activities**

**Cars
Bikes
Trucks**

gates open at 10am



All Makes of Classic Cars and Motor Cycles welcome

Yankalilla Show Grounds, Main South Road, Yankalilla SA 5203

(Gates open to the public from 11am - Vehicles to be in showgrounds by 10.30am)

Sunday 20th November 2022

**CHILDREN
UNDER 12
FREE**

Entry Ticket purchase online:

Cars \$15 (2 Adults) Motor Cycles \$10 (1 Adult)

General Public \$5pp (Tickets at the gate)

Enquires: Rosslyn Hoffmann - Mob: 0414 995 669

Email: yankalillaclassic@gmail.com

All proceeds
from the day to
support Yankalilla
& District Lions
Community
Projects

Great Food/Bar Facilities/Music/Children's entertainment at the event

Further Event information and purchase of tickets online at

Sports and Specials





ADELAIDE RALLY • 2022 •



VIC PARK FINALE

SUN 27TH NOV 3-6:30PM
EAST TCE/HALIFAX ST ENTRY

**FREE
EVENT**



350 CARS ON TRACK + TOURING CARS + F1 DEMOS + LIVE DJ

ADELAIDERALLY.COM.AU FOLLOW US:  





Austin 7 Club Technical Night November 28th 2022

We have a guest speaker from Loctite coming along to answer our questions and talk about the products suitable for our use. She will be covering Thread locking, bearing mounting and corrosion resistance.

Spares at 6.30p.m.

A BBQ will be on before the meeting.

Meeting will start at 7.30p.m.

All members and friends are welcome to attend.

LOCTITE®



Christmas at the Austin 7 Clubrooms

Saturday 10th December 2022

6.30pm for 7.00pm

Catered for by Aussie Ripper Roasts

Subsidised Price \$30.00 per head

Payment required by 14th November 2022

Payments to the treasurer.



23.4.23

Austins over Australia 2024

7th March -11th March 2024

Destination Orange N.S.W.



South Australian Hillclimb Championships 30.10.22



Ian Motley on track



Ian Motley off the track

All Ford Day 30.10.22

Held at Oakbank racecourse.



Brenton Spangler with his XK Falcon.

Old Adelaide



from Adelaide Yesterday and Today

Gawler 1932

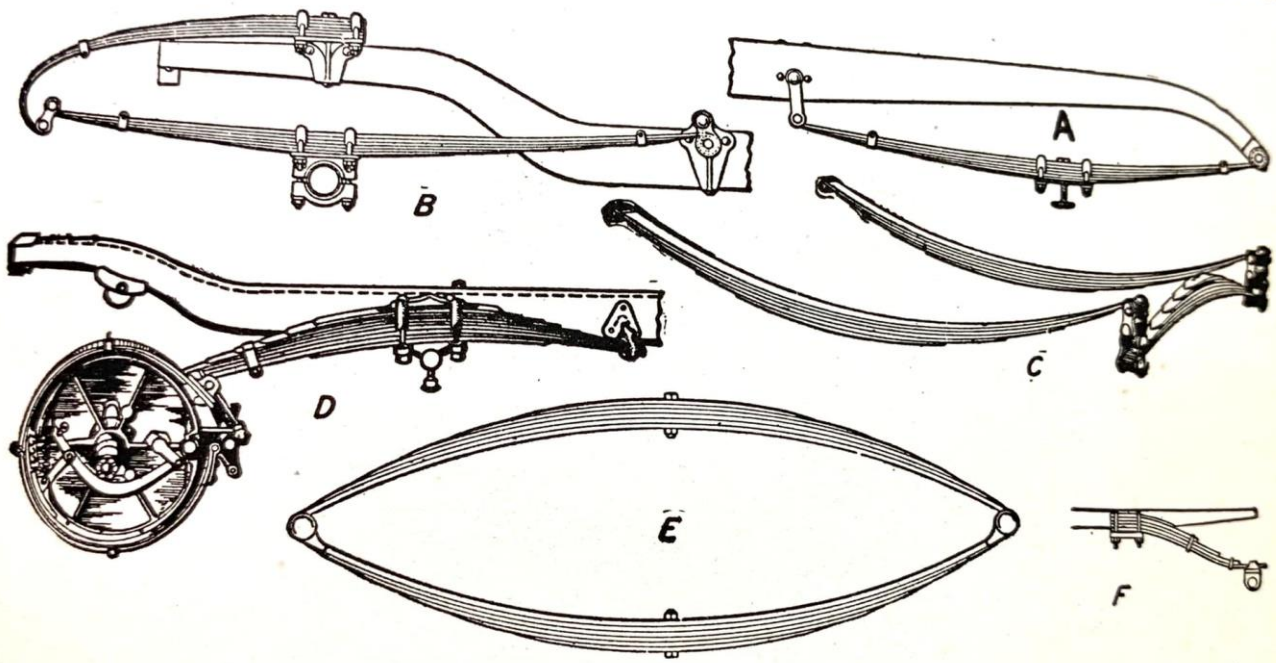
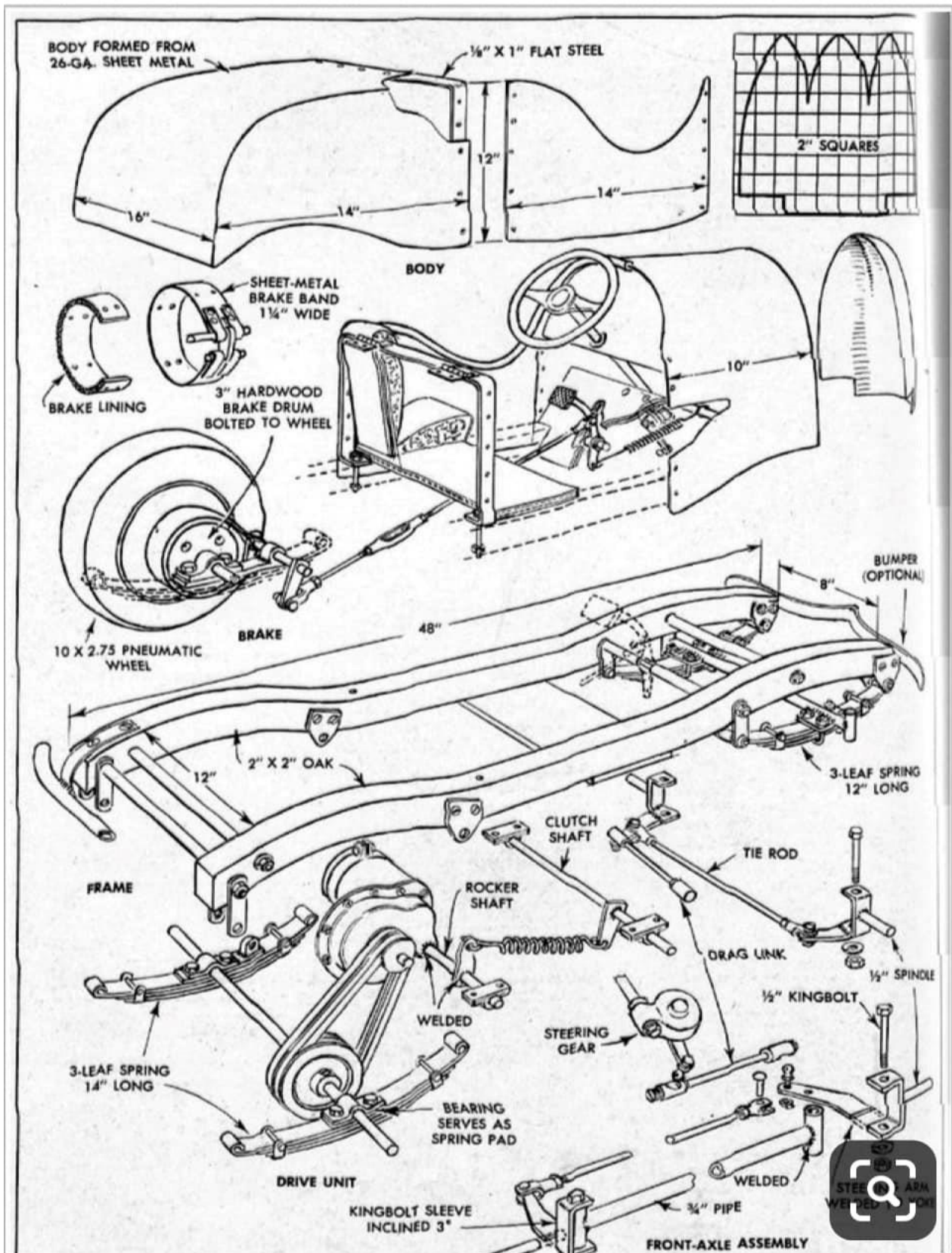


Fig. 1. Leaf Spring Types, A—Semi-Elliptic; B—Three-Quarter Elliptic; C—Platform; D—Full Cantilever; E—Full Elliptic; F—Cantilever or Quarter Elliptic



Electric Car



We should all build one and have races around the car park.



Buy, Sell & Exchange



1936 Austin Seven

\$26,000

Corowa, NSW

Reconditioned suspension,brakes,motor,gearbox,new wiring,upholstery.starts and runs well. includes custom built NSW reg. trailer.price is neg

[1936 austin seven](#) | [Cars, Vans & Utes](#) | [Gumtree Australia Corowa Area - Corowa](#) | 1303417146



My name is Melissa and my siblings, and I have been cleaning out our grandfathers shed, we came across a bonnet emblem which we believe to be an Austin Swallow, could you please clarify and let us know a possible value.

melottewill1@gmail.com

if anyone can help Melissa please contact her.

Austin 1927 roadster \$10,000

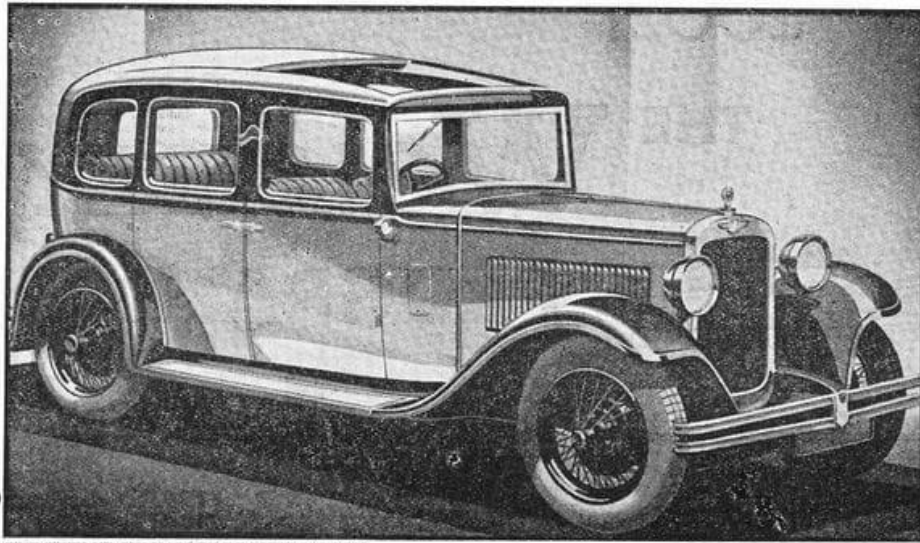
Morphett Vale, SA



I'm selling my 1927 Austin roadster. It's been in the shed for too long and needs a new home.

The motor has been rebuilt, runs starts etc but a grub screw is stripped, and a pulley comes lose. I haven't started it for a couple of years. It's missing the hood. If someone wanted to spray it again and do a interior tidy up you would have a good little car. Does need some love. Again, I haven't started it in a few years, so I'll have to find a battery and put fuel in it. It's gathering dust and needs a home. If your interested txt me. I will call u back. I work fifo in W.A. with bugger all phone signal. But can call after work. Camp has signal. Cheers

A S • D E P E N D A B L E • A S • A N • A U S T I N



THE TWELVE-SIX HARLEY DE LUXE SALOON

*Stand 113***AT OLYMPIA**

The keener your judgment of values—the greater this car's appeal

The introduction of the Austin Twelve-Six has caused a revision in the accepted conception of motor car values.

Its coming has proved that a car equal in every respect to other makes sold previously at £250, and often more, can be offered for the astonishing price of £198—or £225 for the De Luxe model.

Consider. The Twelve-Six is a six-cylinder car. A roomy, full-sized saloon—not a miniature car. With

no essential item of equipment omitted. Big-hearted—not underpowered for its task. Economical as most 'fours,' with greasing points reduced to a minimum. With a driving ease that brings quick confidence. And, like all Austins, built painstakingly—to last through the years.

Examine the Twelve-Six De Luxe Saloon on Stand No. 113, Olympia, feature by feature—and the keener your judgment of values, the greater will be this car's appeal.

The Twelve-Six Harley De Luxe Saloon with sunshine roof, bumpers and leather upholstery.

£225

*Harley Saloon £198
Open Road Tourer £198
Eton Two-Seater £198*

*(PRICES AT WORKS)
Dunlop tyres, Triplex glass throughout and chromium finish standard.*

READ THE AUSTIN MAGAZINE: 4d. every month

AUSTIN

The Austin Motor Co. Ltd., Longbridge, Birmingham. Showrooms, also Service Station for the Austin Seven: 479-483 Oxford Street, London, W.1. Showrooms and Service Station: Holland Park Hall, W.11.

Friday Funny

When they take your trailer away so you won't buy stupid shit at the auction



